



Solenoid valve 2/2 way N.C. Direct acting

21JL1R1V12
÷
21JL1R1V23

PRESENTATION:

Direct acting S.V. for interception of fluids compatible with the construction materials.

Minimum operational pressure is not required.

The materials used and the tests carried out ensure maximum reliability and duration.

USE: Automation
Heating

PIPES: G 1/8

COIL: 2,5W - Ø 10
LBA 155°C (class F)
5W - Ø 10
LBA 155°C (class F)
LBF - LBV 180°C (class H)

MOULDING AND BOBBIN ARE MADE BY 100% VIRGIN MATERIAL.

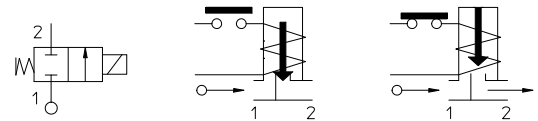
Max. allowable pressure (PS) 40 bar
Ambient temperature:
with coils class F - 10°C + 60°C
with coils class H - 10°C + 80°C



Special item-not standard

Gaskets	Temperature		Medium
	- 10°C	+ 140°C	
V=FKM (fluoroelastomer)	- 10°C	+ 140°C	Mineral oils (2°E), gasoline gas oil, fuel oils (5°E)
B=NBR (nitrile rubber)	- 10°C	+ 90°C	Air, inert gas, water

For seals other than FKM replace the letter "V" with the ones corresponding to the other seals. E.I 21JL1R10**B**12.



Pipe ISO 228/1	Code	Max viscosity		Ø mm	Kv l/mn	Power (watt)	Pressure		
		cSt	°E				min bar	M.O.P.D.	
								AC bar	DC bar
G 1/8	21JL1R1V12	12	~ 2	1,2	1	2,5 5	0	20	3,5
								25	12
	21JL1R1V23	37	~ 5	2,3	2,3 5	6		-	
						18		8	

Note

Available on request and with minimum quantities.

The "ODE" reserves the right to carry out technical and aesthetic modifications without prior notification.

MATERIALS:

Body	Stainless steel AISI series 316
Armature tube	Stainless steel AISI series 300
Fixed core	Stainless steel AISI series 400
Plunger	Stainless steel AISI series 400
Phase displacement ring	Gold plated copper
Spring	Stainless steel AISI series 300
Seal	Standard: V=FKM On request: B=NBR
Orifice	Stainless steel AISI series 316

On request:

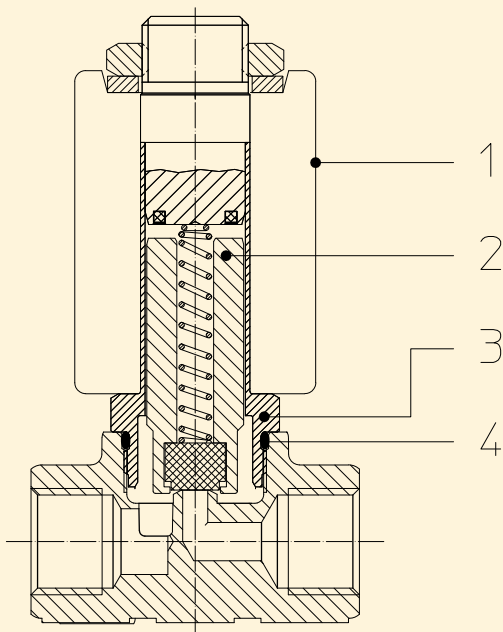
Connector	Pg 9 or Pg 11
Connector conformity	ISO 4400

FEATURES:

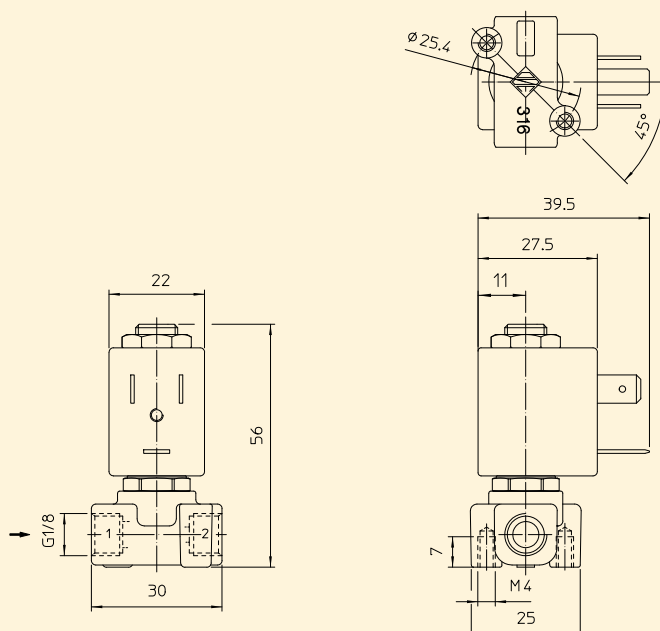
Electrical conformity	IEC 335
Protection degree	IP 65 EN 60529 (DIN 40050) with coil fitted by connector.

SPARE PARTS:

- Coil:**
See coils list
- Complete plunger:**
Code R452428/V
- Complete armature tube:**
Code R452426
- Gasket O-Ring:**
Code R990597/V



DIMENSIONS:



COIL TYPE	POWER ABSORPTION		
	W ==	Hold VA ~	Inrush VA ~
L	2,5	5	7
	5	10	15