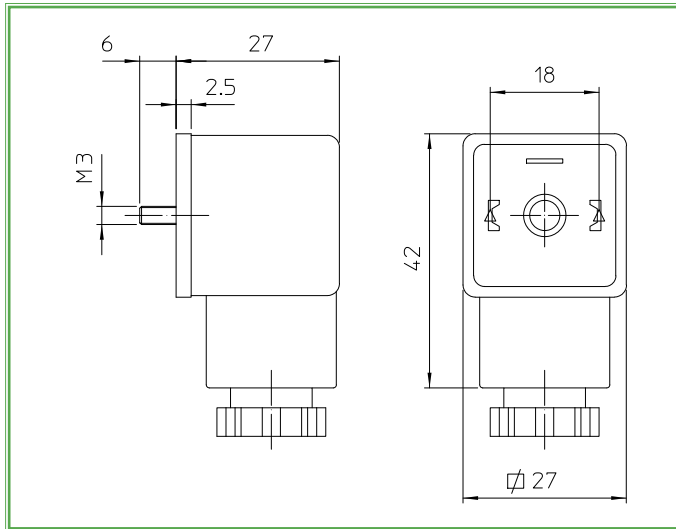




Connector for electronic connections VDE Approval

P990305
÷
P990307



CODE:

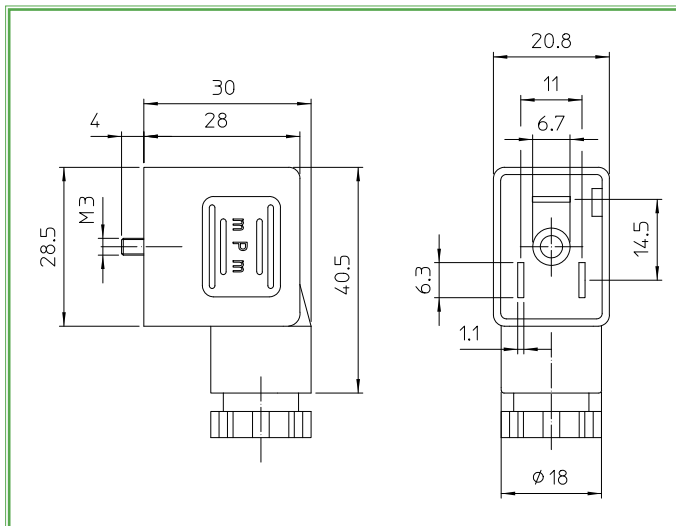
P990305 ÷ P990306

COMPATIBLES COILS:

BD.. - GD.. - UD..

SPARE PARTS:

Standard:	EN 175301-803
Number of contacts:	2 + ⊕
Supply voltage:	AC max 250V DC max 300V
Operating current:	10 A
Max current:	16 A
Contact resistance:	≤ 4 mOhm
Max conductor section:	1,5 mm ²
Housing :	PA (Polyamide)
Cable entry:	
Cod. P990305	Pg 09
Cod. P990306	Pg 11
Cable diameter:	Pg 09 (6+8 mm) Pg 11 (8+10 mm)
Protection class:	IP 65 EN 60529
Insulation class:	VDE 0110-1/89
Sealing:	NBR -40°C +90°C



CODE:

P990307

COMPATIBLES COILS:

LB...

SPARE PARTS:

Standard:	EN 175301-803
Number of contacts:	2 + ⊕
Supply voltage:	AC max 250V DC max 300V
Operating current:	10 A
Max current:	16 A
Contact resistance:	≤ 4 mOhm
Max conductor section:	1,5 mm ²
Housing:	PA (Polyamide)
Cable entry:	
Cod. P990307	Pg 09
Cable diameter:	Pg 09 (6+8 mm)
Protection class:	IP 65 EN 60529
Insulation class:	VDE 0110-1/89
Sealing:	NBR -40°C +90°C

The "ODE" reserves the right to carry out and aesthetic modifications without prior notification.