



**FEATURES**

- ▶ Totally separate Valve
- ▶ Up to 36 Kg closing force
- ▶ Fluid untouched when flowed

**TECHNICAL SPECIFICATION**

- ▶ **Body material:** Anodized Aluminium
- ▶ **Armature tube:** Brass - UNI EN 12164 CW614N
- ▶ **Plungers:** Stainless Steel AISI 400 series
- ▶ **Spring:** Stainless Steel AISI 300 series
- ▶ Pinching device POM C= Acetalic resin
- ▶ **Ambient temperature:** -10°C +40°C
- ▶ **Protection class:** IP65 (complete with electric plug)
- ▶ **Electrical conformity:** IEC335
- ▶ **Switching time:** 20-40 msec

**AVAILABLE ON REQUEST**

- ▶ For different tube diameter or haedress, please consult our technical department



21Z	25	B	2	S	65	
Model valve	Body diameter	B= 8W	1= N.C.	S= VMQ	05	Tubing dimensional
		M= 4W	2= N.O.		25	
		U= 12W	3= 3Way		65	
		G= 14W			95	

B	D	V	08	024	C	V
B= 30mm Ø 13	A EN 175301-803	A= Class F	08= 8W	024= 24V	C= DC	V= VDE
G	D	A	12	024	C	S
G= 52mm Ø 13	A EN 175301-803	A= Class F	12= 12W	024= 24V	C DC	S= Without Approval
M	A	A	04	024	C	S
M= 16mm Ø 7	A EN 175301-803	A= Class F	04= 4W	024= 24V	C DC	S= Without Approval
U	D	A	12	024	C	S
U= 36mm Ø 13	A EN 175301-803	A= Class F	12= 12W	024= 24V	C= DC	S= Without Approval

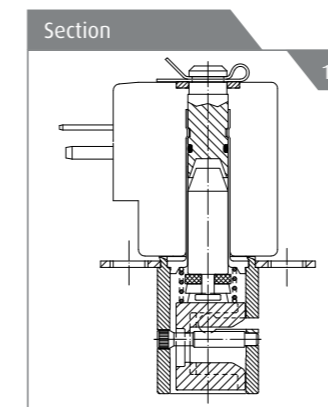
Ø int. (mm)	Ø ext. (mm)	WALL THICKNESS (mm)	GAS CODE	PINCHIN FORCE (g)	POWER ABSORPTION (watt)				PRESSURE MAX	WEIGHT (g)	DRAWING REFERENCE
					COIL TYPE						
					M	B	U	G			

**Normally Closed** (\*) To use in AC, a rectifier bridge will be supplied with the DC coil

0,76	1,65	0,4	21Z16M1S05	180	4					50	1
1,57	3,1	0,8	21Z16M1S20	240	4					50	1
1,98	3,18	0,6	21Z16M1S25	210	4					50	1
3,5	6	-	21Z25B1S65	650		8				220	2
7	12	2,5	21Z30G2S99	2600				14	1	540	2
7	12	2,5	21Z30G2S99-S	2600				14	1 (*)	540	2

**Normally Opened** (\*\*) With tubings hardness 70 ± 3 shore A

0,76	1,65	0,4	21Z16M2S05	250	4					50	1
1,57	3,18	0,8	21Z16M2S20	900	4					50	1
1,98	3,18	0,6	21Z16M2S25	400	4					50	1
3,5	6	-	21Z25B2S65	1500		8				220	2
3,5	6	-	21Z25B2S65	2100				12(**)		220	2



**REPAIR KIT**

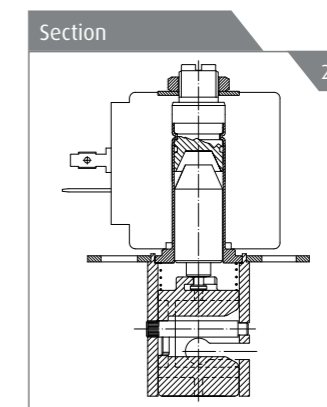
For spare parts please consult our technical department

**Coil P/N**

For 21Z16: RMAA0424CS  
For other : Coil B type (08W)  
Coil G type (14W)  
Coil U type (12W)

**RELATED ITEMS**

- ▶ P990305: Electrical plug EN 175301-803 Pg9
- ▶ P990306: Electrical plug EN 175301-803 Pg11
- ▶ P992126: Electrical plug EN 175301-803 Pg9 (with OR screw)
- ▶ P992127: Electrical plug EN 175301-803 Pg11 (with OR screw)
- ▶ P992128: Electrical plug EN 175301-803 cable 2 wires, 53cm
- ▶ R452714: Antihumidity kit (up to IP67 protection together with plugs P992126, P992127; P992128 & H coils class)
- ▶ P992087: Timer for automatic switch

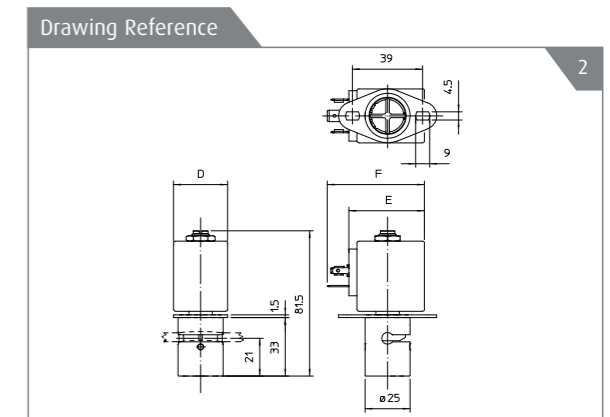
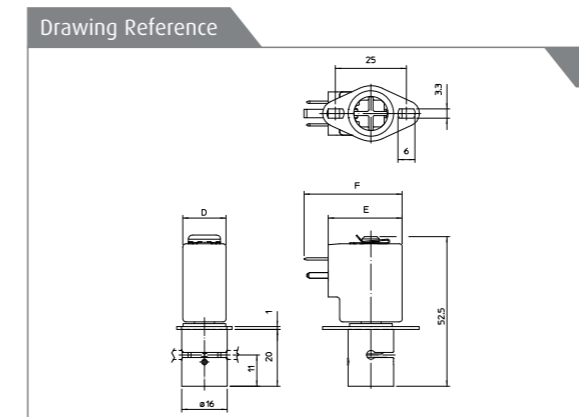


**REPAIR KIT**

For spare parts please consult our technical department

**INSTALLATION**

- ▶ This S.V. is suitable for soft silicon tubings with hardness 55 ± 3 shore A.
- ▶ Tubing are not included in our supply.
- ▶ When used with less that 2,2mm external diameter pipes, a pipe holder should be mounted (for 21Z1).
- ▶ The solenoid valves can be mounted in any position
- ▶ Maintenance and instruction sheet available in each solenoid valve box



**Dimensional Table**

Figure	Coil Type	D mm	E mm	F mm
1	M	16	26	34,5
	B	30	42	54
2	G	52	55	67
	U	36	48	60





**FEATURES**

- ▶ Totally separate valve
- ▶ Up to 36 kg closing force
- ▶ Fluid untouched when flowed
- ▶ Bidirectional flow control
- ▶ Suitable for food pharmaceutical and medical application

**TECHNICAL SPECIFICATION**

- ▶ **Body material:** Anodized Aluminium
- ▶ **Armature tube:** Brass - UNI EN 12164 CW614N
- ▶ **Plungers:** Stainless Steel AISI 400 series
- ▶ **Spring:** Stainless Steel AISI 300 series
- ▶ Pinching device POM C= Acetalic resin
- ▶ **Ambient temperature:** -10°C +40°C
- ▶ **Protection class:** IP65 (complete with electric plug)
- ▶ **Electrical conformity:** IEC335
- ▶ **Switching time:** 20-40 msec

**AVAILABLE ON REQUEST**

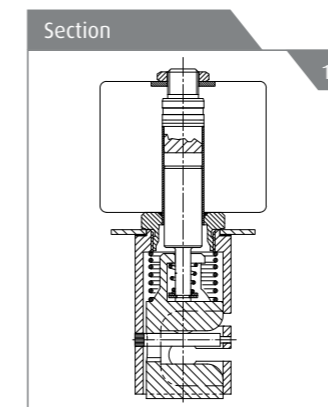
- ▶ For different tube diameter or haedress, please consult our technical department



31Z	30	G	3	S	95	
Model valve	Body diameter	G= 14W	V= FKM	3= 3 way	95	Tubing dimensional

G	D	H	14	024	C	S
G= 52mm Ø 13	D EN 175301-803	H= Class H 14= 14V 024= 24V C= CD S= Without Approval	14= 14W 012= 12V			V= VDE

Ø int. (mm)	TUBINGS		GAS CODE	PINCHIN FORCE (g)	POWER ABSORPTION (watt)			PRESSURE MAX	WEIGHT (g)	DRAWING REFERENCE
	Ø ext. (mm)	WALL THICKNESS (mm)			COIL TYPE					
6,4	9	-	31Z30G3595	1250	G			1	500	1



**REPAIR KIT**  
For spare parts please consult our technical department

**RELATED ITEMS**

- ▶ P990305: Electrical plug EN 175301-803 Pg9
- ▶ P990306: Electrical plug EN 175301-803 Pg11
- ▶ P992126: Electrical plug EN 175301-803 Pg9 (with OR screw)
- ▶ P992127: Electrical plug EN 175301-803 Pg11 (with OR screw)
- ▶ P992128: Electrical plug EN 175301-803 cable 2 wires, 53cm
- ▶ R452714: Antihumidity kit (up to IP67 protection together with plugs P992126, P992127; P992128 & H coils class)
- ▶ P992087: Timer for automatic switch

**INSTALLATION**

- ▶ This S.V. is suitable for soft silicon tubings with hardness 55 ± 3 shore A.
- ▶ Tubing are not included in our supply.
- ▶ When used with less that 2,2mm external diameter pipes, a pipe holder should be mounted (for 21Z1).
- ▶ The solenoid valves can be mounted in any position
- ▶ Maintenance and instruction sheet available in each solenoid valve box

